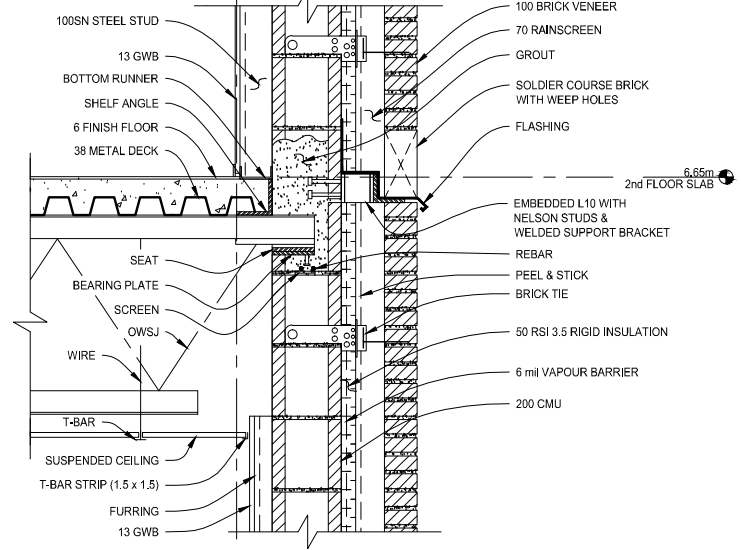
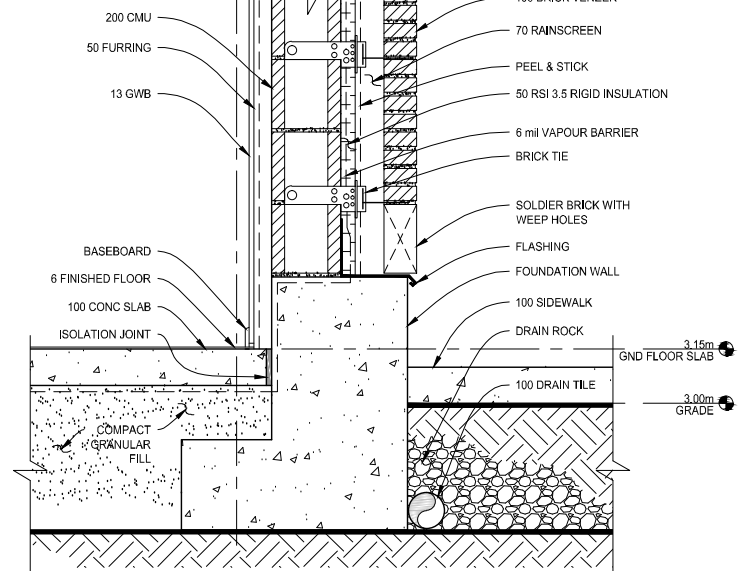


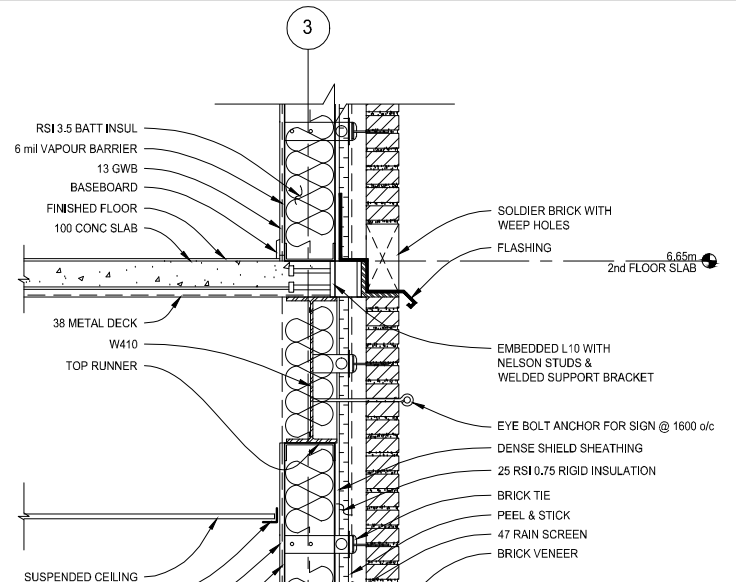
DETAIL 3
SCALE: 1:10



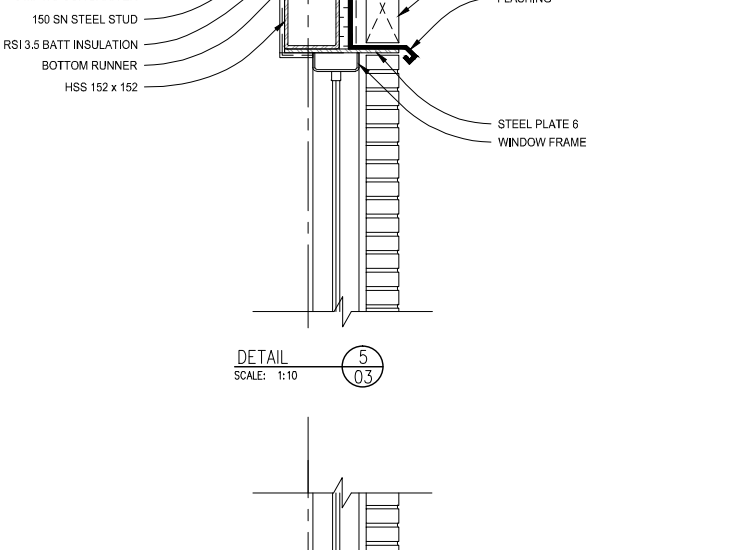
DETAIL 3
SCALE: 1:10



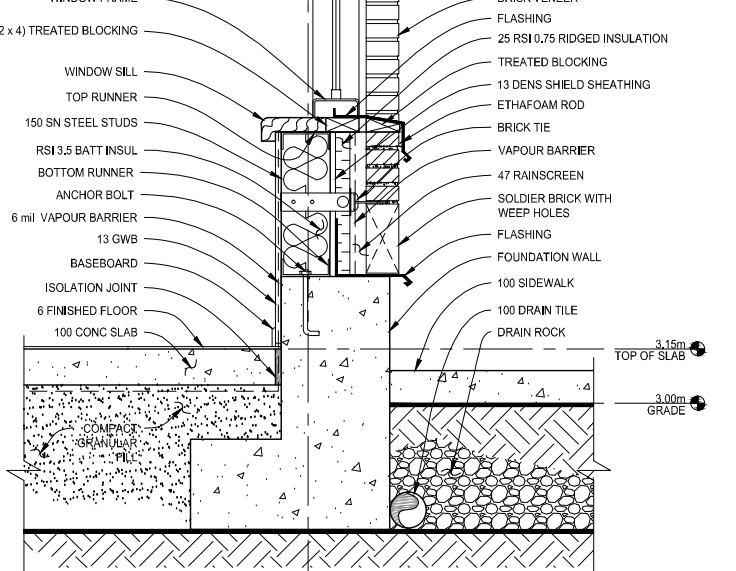
DETAIL 3
SCALE: 1:10



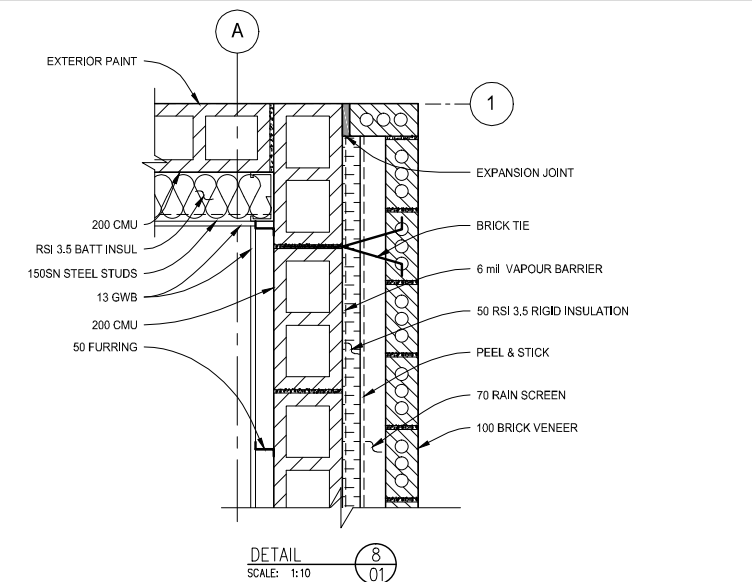
DETAIL 3
SCALE: 1:10



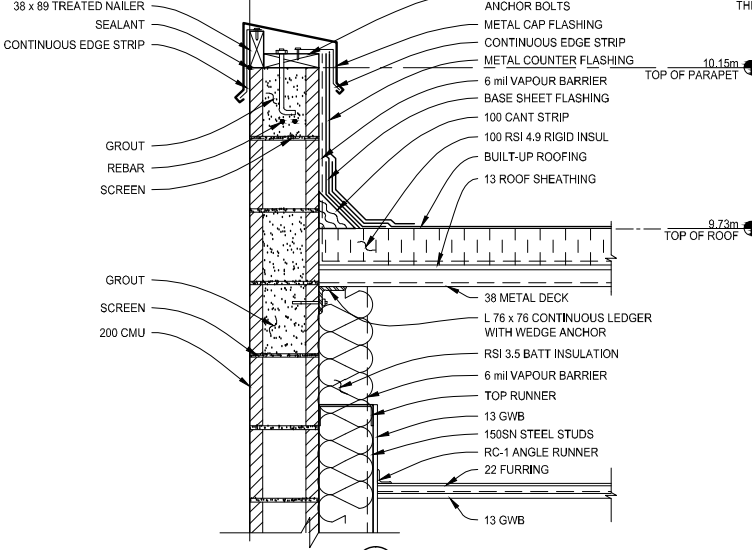
DETAIL 3
SCALE: 1:10



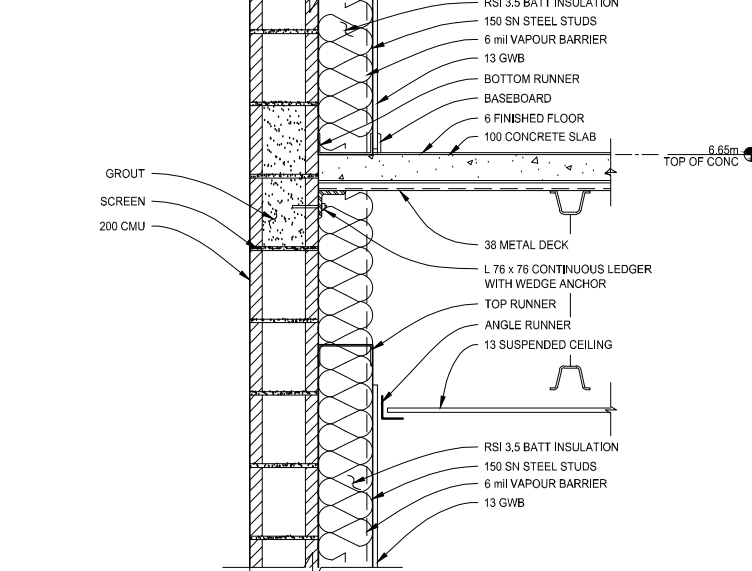
DETAIL 3
SCALE: 1:10



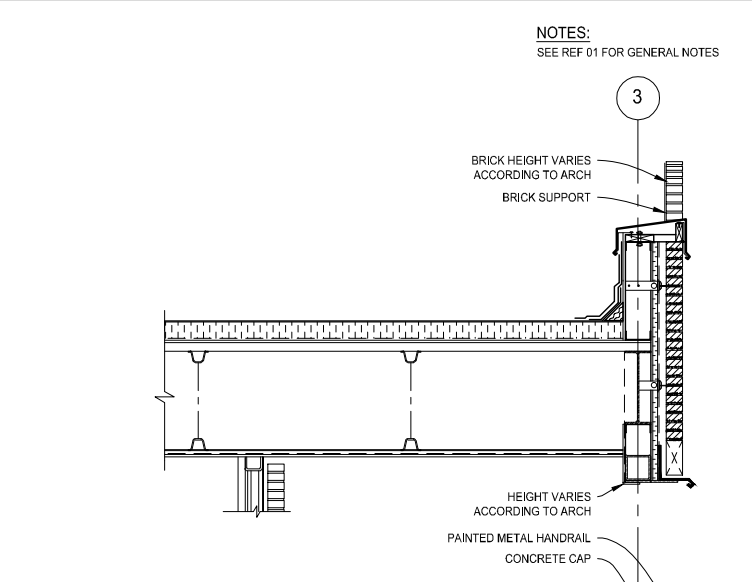
DETAIL 3
SCALE: 1:10



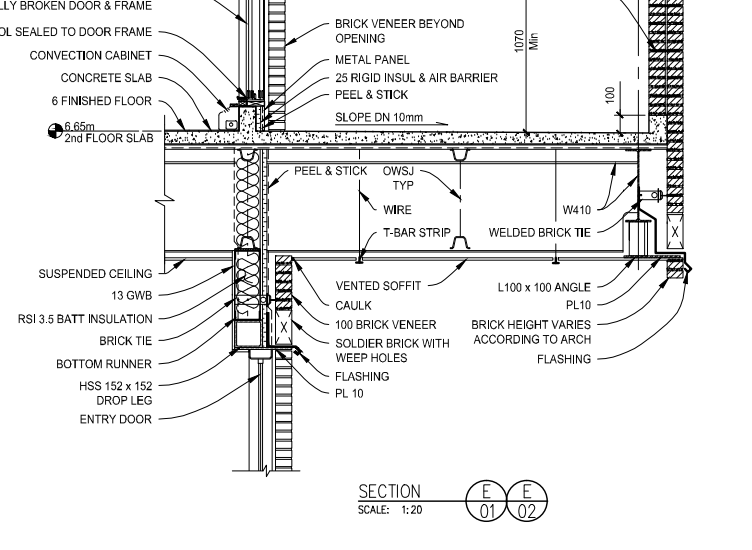
DETAIL 3
SCALE: 1:10



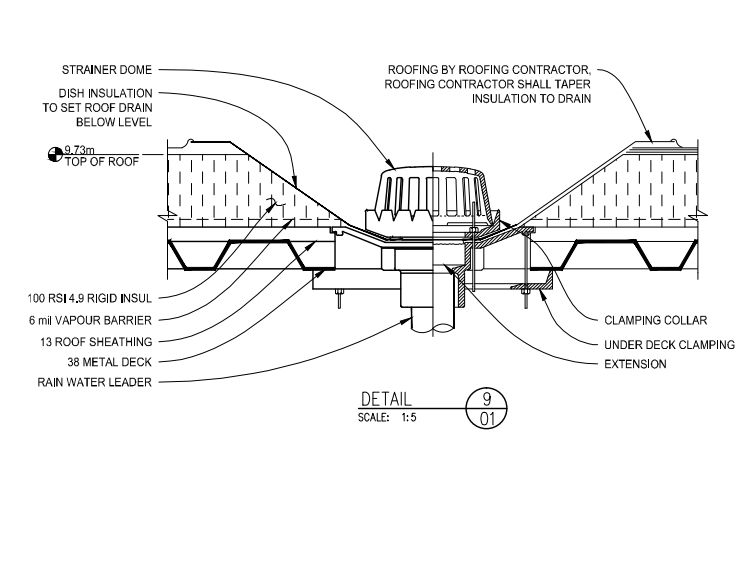
DETAIL 3
SCALE: 1:10



DETAIL 3
SCALE: 1:20



SECTION 3
SCALE: 1:20



DETAIL 3
SCALE: 1:5

NOTES:
SEE REF 01 FOR GENERAL NOTES

NO.	DRAWING	REFERENCE	NO.	DATE	REVISION	APP.
3	A-1357-03	WALL SECTION & SCHEDULES				
2	A-1357-02	ELEVATIONS				
1	A-1357-01	PLOT PLAN & GROUND PLAN				

COURSE	1357

VANCOUVER COMMUNITY COLLEGE DRAFTING DEPT.

PROJECT COMMERCIAL BUILDING DETAILS & SECTION

DRAWN	N. CALDWELL	DRAWING NO.	REV.
SCALE	1:10 UNO	A-1357-04	1
INST.	MD		
DATE	03/13/2015		